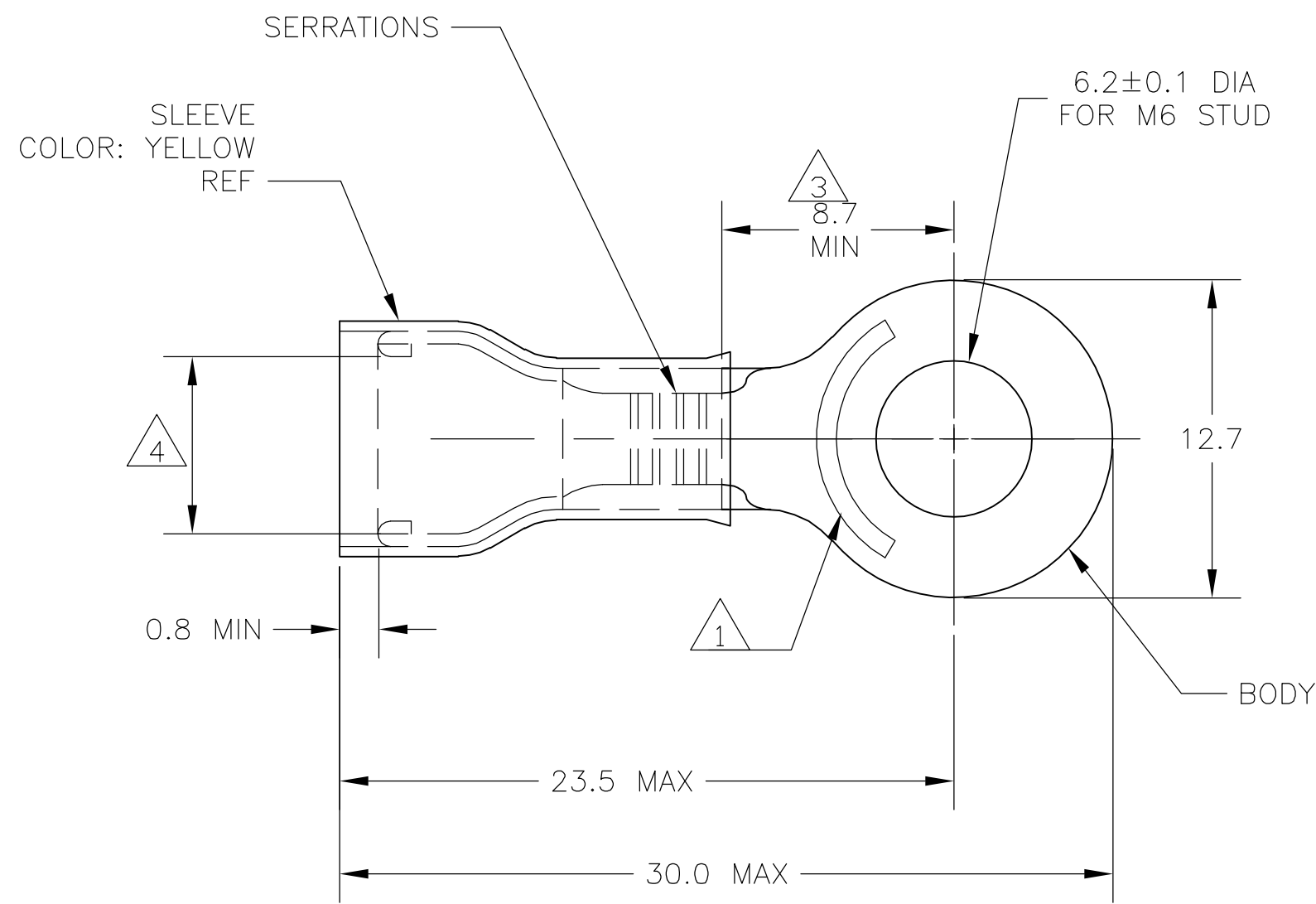


THIS DRAWING IS UNPUBLISHED. RELEASED FOR PUBLICATION
 © COPYRIGHT BY TYCO ELECTRONICS CORPORATION. ALL RIGHTS RESERVED.

LOC	DIST	REVISIONS					
G	14	P	LTR	DESCRIPTION	DATE	DWN	APVD
			A3	REV PER ECR 07-007500	30MAR07	JR	TM



- 1 STAMP "AMP 12-10*", LOCATION APPROX AS SHOWN.
- 2 TONGUE THICKNESS IS 1.00±0.05
- 3 APPLIES TO EDGE OF METAL WIRE BARREL TO CENTER OF STUD HOLE.
- 4 WIRE INSULATION DIA RANGE 3.8-6.4
- 5 BODY - COPPER PER ASTM B152 SLEEVE - COPPER PER ASTM B152 INSULATION - NYLON
- 6 BODY - TIN PLATE PER ASTM B545 SLEEVE - TIN PLATE PER ASTM B545 INSULATION - COLOR-YELLOW
- 7 105°C MAX OPERATING TEMP.
- 8 300 VOLT MAX
- 9 2.62-6.64mm² [5,180-13,100 CMA] SOLID OR STRANDED

2500	ON TAPE & REEL	2-165028-1
500	LOOSE PIECE	165028
QTY	PACKAGE TYPE	PART NO

THIS DRAWING IS A CONTROLLED DOCUMENT.		DWN jr_ruth 29MAR07	Tyco Electronics Corporation Harrisburg, PA 17105-3608	
DIMENSIONS: MM INCHES 		CHK T MICHIELUTTI 29MAR07		
TOLERANCES UNLESS OTHERWISE SPECIFIED: 0 PLC ± - 1 PLC ± 0.2 2 PLC ± - 3 PLC ± - 4 PLC ± - ANGLES ± 5°		APVD T MICHIELUTTI 29MAR07	NAME	
MATERIAL		PRODUCT SPEC	TERMINAL RING TONGUE, PIDG, WIRE SIZE 12-10	
FINISH		APPLICATION SPEC	SIZE	RESTRICTED TO
-5		WEIGHT -	A3 00779	-
-6		C-165028		
CUSTOMER DRAWING			SCALE 4:1	SHEET 1 OF 1
			REV A3	